

Product Overview

Material Specification

Made from 316 grade stainless steel, suitable for indoor and out door applications.

Stainless

Warranty

Steel tactile indicators shall be guaranteed in writing for a period of ten (10) years from date of final completion for defective product. Installer must provide a two (2) year installation warranty.

Maintenance

Ensure indicator surface is cleaned periodically and free from debris, spills etc.

Testing

Tested in Canada and conforms to the following ASTM specifications.

- ASTM C1028 (static coefficient of friction) = 1.01 dry, 0.836 wet
- ASTM B117-03 (fog or salt spray 200hrs), no change
- ASTM HS20-44 (load test 10400lb)

Geometry Compliance

Dome size is ADA compliant and meets CSA specification.

- CSA standard B651-04.1.2.2.2
- ISO/TC 59/SC16 N140, 4.1.2.2,4.1.2.3



Installation

SURFACE

Can be applied on a wide range of surfaces. Concrete, tile, wood etc.

LAYOUT

Layout spacing as required. Care should be taken to ensure spacing does not cause conflict with grout lines etc. Spacing is normally 2.4 inches c/c 60mm . Spacing template is available, request when ordering.

DRILLING

Drill hole in the substrate appropriate size for stem to fit. Clean hole of debris, air blow recommended.

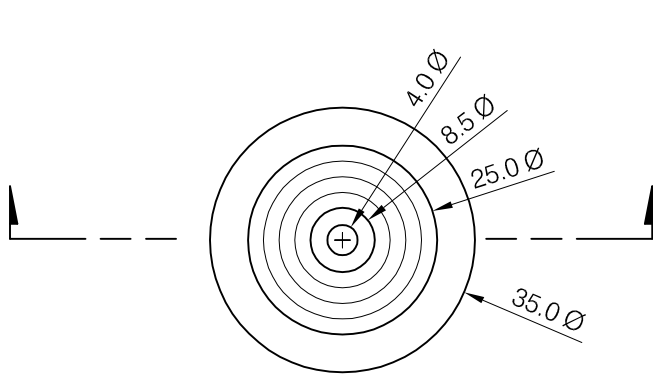
- UAS-SS23500 will require 8 mm (5/16) hole.

Ensure the hole is deep enough to embed plastic insert for the entire length -50mm should be sufficient.

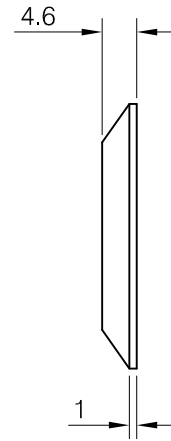
NOTE: using a hammer drill could cause damage to a tile surface if the tile installation is not properly done. Use rotary drill if unsure.

ADHESIVE

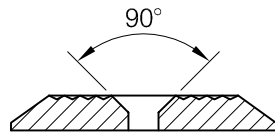
This product does not require adhesive, simply insert the plastic plug and screw down indicator.



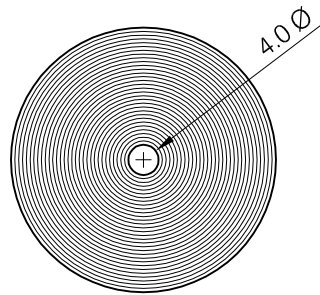
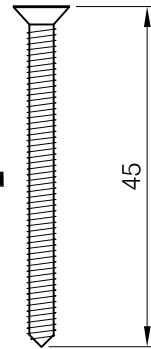
Top View



Side View



Section



Bottom View

Mar.01/12 3:18 PM

C:\2800-2899\2813-001\500-Drawings\2813001TactileIndicators.dwg



www.urbanaccesssolutions.com

SS316 TACTILE INDICATOR

UAS-SS3500

DRAWING DATE

02/29/12

REVISION No.

0

SCALE: METRIC

1:1