

Product Overview

Material Specification

Made from a polymer composite material, suitable for indoor and outdoor applications. Color-True throughout and UV resistant.

Warranty

Polymer tactile domes shall be guaranteed in writing for a period of five (5) years from date of final completion for defective product. Installer must provide a two (2) year installation warranty.

Maintenance

Ensure indicator surface is cleaned periodically and free from debris, spills etc.

Testing

Tested in Canada and conforms to the following ASTM specifications.

- ASTM C1028 (static coefficient of friction) = .90 dry
- ASTM B117-03 (fog or salt spray 200hrs), no change
- ASTM HS20-44 (load test 10400lb)

Geometry Compliance

Dome size is ADA compliant and meets CSA specification.

- CSA standard B651-04.1.2.2.2
- ISO/TC 59/SC16 N140, 4.1.2.2,4.1.2.3



Installation

SURFACE

Can be applied on a wide range of surfaces. Concrete, tile, wood etc.

LAYOUT

Layout spacing as required. Care should be taken to ensure spacing does not cause conflict with grout lines etc. Spacing is normally 2.4 inches c/c 60mm . Spacing template is available, request when ordering.

DRILLING

Drill hole in the substrate appropriate size for stem to fit. Clean hole of debris, air blow recommended.

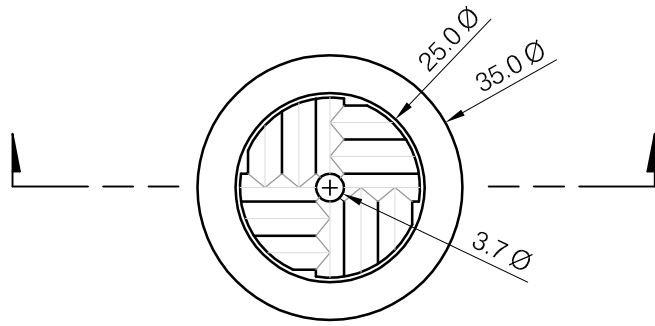
- UAS-PX3519 will require 8mm (5/16) hole.

Ensure the hole is deep enough to embed stem for the entire length -25mm should be sufficient.

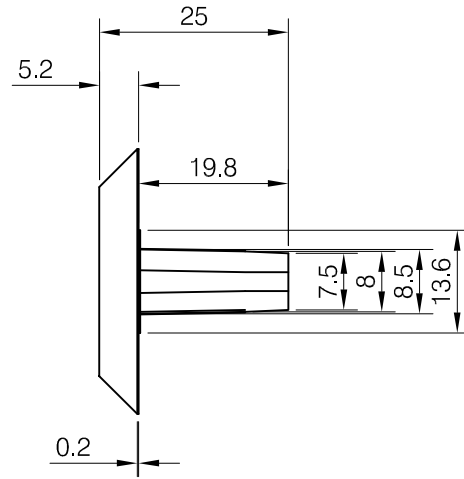
NOTE: using a hammer drill could cause damage to a tile surface if the tile installation is not properly done. Use rotary drill if unsure.

INSTALLATION / ADHESIVE

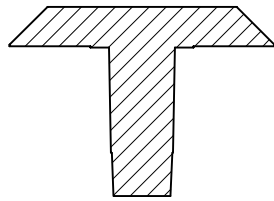
This product is friction fit and does not require adhesive – simply insert indicator into predrilled hole and hammer snug using rubber mallet



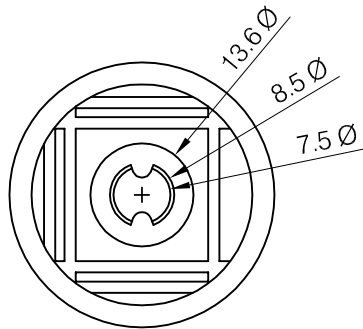
Top View



Side View



Section



Bottom View

Mar.01/12 3:18 PM

C:\2800-2899\2813-001\500-Drawings\2813001TactileIndicators.dwg



urban access solutions

www.urbanaccesssolutions.com

TACTILE INDICATOR

UAS-PY3519.8

DRAWING DATE

02/29/12

REVISION No.

0

SCALE: METRIC

1:1